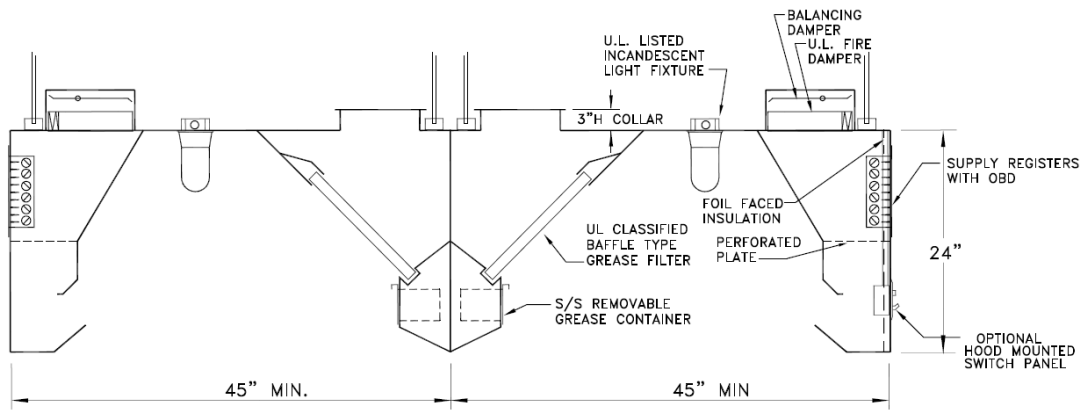


# Specifications and Options

## Exhaust & Internal Supply (Registers) – Model SCS-FR-I



### Hood Specifications:

- Material:** Exposed hood areas constructed of 18 gauge type 304 stainless steel or 430 stainless steel with # 3 polish. Unexposed areas constructed of 18 gauge aluminized steel.
- Construction:** Exterior shell of hood is continuously welded liquid tight per NFPA-96. All exposed joints and seams are polished to the original finish. Hood front is double shell construction for added hood front rigidity at all hood lengths.
- Lights:** U.L. Listed Incandescent type light fixtures located on 3' to 4' centers. Lights include shatterproof globes. Lights are pre-wired to junction box at top of hood.
- Filters:** U.L. Classified heavy duty aluminum or stainless steel baffle type grease filters located in hood filter frame assembly. Filters are removable for cleaning.
- Grease Container:** Concealed stainless steel removable grease container located in hood interior isolated from airstream.
- Hanger Brackets:** Heavy steel 6" uni-strut hanger brackets at hood top with adjustable spring loaded rod coupling for 1/2" threaded hanger rod.
- Exhaust Duct Collar:** 3" High Exhaust duct collar is factory installed in top of hood or shipped loose for field location. Duct collar contains perimeter welding flange for field welding of exhaust duct.
- Approvals:** Hood is ETL Listed to conform to U.L. 710 standards. Hood is NSF Listed and built in strict accordance with the latest edition of National Fire Protection Association, NFPA-96

### Hood Options:

- Material:** Entire hood constructed of 18 gauge or 16 gauge stainless steel or aluminized steel.
- Lights:** U.L. Listed Recessed fluorescent type or LED light fixtures available, double tube style in 3' or 4' lengths.
- Filters:** U.L. Classified heavy duty stainless steel baffle type grease filters.
- Grease Extractors:** All stainless steel construction high velocity grease extractor for up to 95% grease containment.
- Switch Panel:** Hood mounted or provide loose for wall mounting. Panel may contain various light and fan switch combinations as required for system operation.
- 3" Standoff:** Insulated or Non-insulated, factory installed at hood ends or top as required for clearance to combustible or limited combustible surfaces.
- Ceiling Closure Panels:** Closure panels to close off space between top of hood and ceiling as required can be factory installed to hood top or provided loose for field installation.
- Side Skirts:** Left or Right end skirt to close off end of hood as required.
- Wall Panels:** S/S construction wall panels provided loose for field installation behind hood.
- Fire Control Cabinet:** Fabricated onto left or right end of hood to contain fire system controls and electrical controls as required.
- Zero Clearance:** Using approved methods of insulating a hood for Zero Clearance to combustibles for the front, top, and sides of the hood.
- Side Skirts:** Left or Right end skirt to close off end of hood as required.

## Specifications and Options

### Exhaust & Internal Supply (Registers) – Model SCS-FR-I

#### CFM Information Data – Island Mounted Application –Model SCS-FR-I

Cooking Equipment	Max Surface Cooking Temp. Degrees F.	Exhaust CFM Per Foot of Hood Length	Supply CFM Thru Hood Front (% of Exhaust)	Supply CFM Introduced thru HVAC Unit
<b>Light Cooking Load –</b> <i>Ovens, Kettles, Ranges, Steam Equipment, Rotisseries</i>	400 Degrees F	460 (230 Per Side)	70%	30%
<b>Medium Cooking Load-</b> <i>Griddles, Fryers, Braising Pans, Skillets, Salamanders, Upright Broilers</i>	600 Degrees F.	<u>Consult Factory</u>	<u>Consult Factory</u>	
<b>Heavy Cooking Load-</b> <i>Electric or Gas Char-broilers, Wok Ranges</i>	700 Degrees F.	<u>Consult Factory</u>	<u>Consult Factory</u>	

**Hood Internal Static Pressure Losses:**

**Light Cooking Load:** Exhaust = .55" (w/Baffle Type Filters), .75" (w/GRX High Velocity Extractors) Supply=.20"

**Medium Cooking Load:** Exhaust = .60" (w/Baffle Type Filters), .85" (w/GRX High Velocity Extractors) Supply=.25"

**Heavy Cooking Load:** Exhaust = .55" (w/Baffle Type Filters), .97" (w/GRX High Velocity Extractors) Supply=.32"