

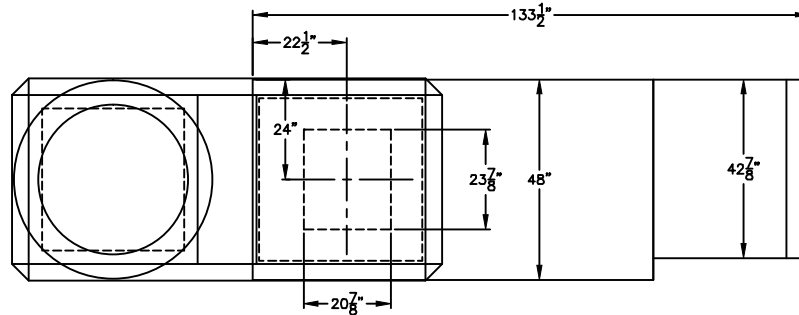
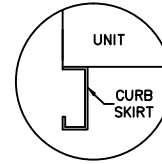
GENERAL NOTES

UNLESS OTHERWISE NOTED, ALL EXTERIOR SURFACES WILL BE 18 GA. GALVANIZED STEEL.

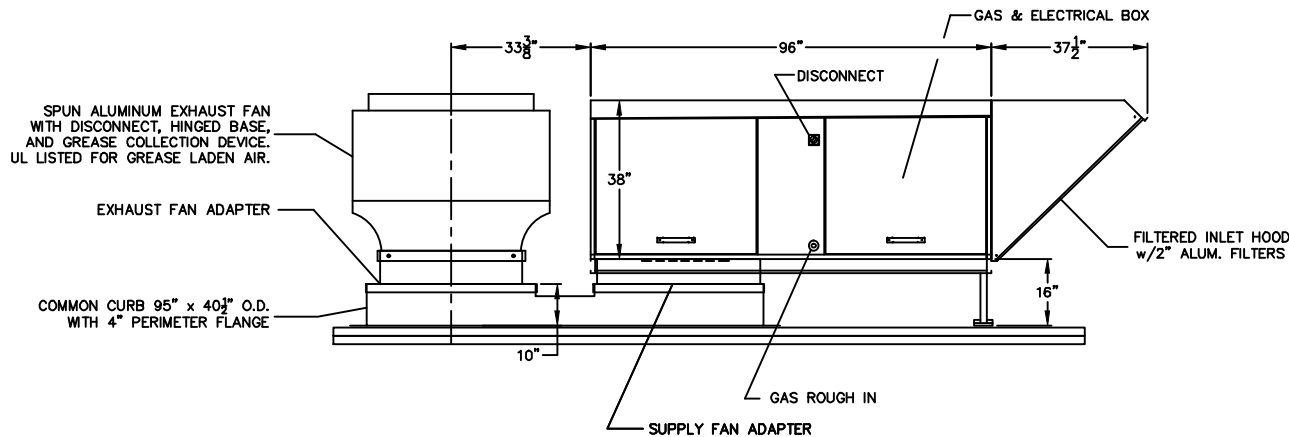
LISTED



CURB SKIRT DETAIL



PLAN VIEW



ELEVATION VIEW

PROJECT NAME:
 REF. NO./DRAWING NO.:
 DATE:

ENGINEERING SPECIFICATIONS

MODEL: V4
 C.F.M.: T.S.P.: E.S.P.:
 B.T.U. INPUT: 745,000 GAS LINE SIZE: 3/4" or 1"
 MIN. GAS PRESS.: 9" W.C. MAX. GAS PRESS.: 14" W.C.
 H.P.: VOLTAGE: SERVICE AMPS.:
 BLOWER MODEL # G18

STANDARD FEATURES:

- DIRECT GAS FIRED UNIT, NATURAL GAS
- ETL CERTIFIED
- GALVANIZED STEEL CASING; UNPAINTED
- DOWN DISCHARGE CONFIGURATION
- MAXITROL SERIES 14
- REMOTE RESET OF FLAME SAFEGUARD
- 24V REMOTE CONTROL PANEL
- ONE EXHAUST FAN STARTER
- 1" INTERNAL INSULATION
- VIBRATION ISOLATORS
- REMOVABLE BIRDSCREEN

OPTIONAL FEATURES:

NOTES:

SUPPLY AIR FLOW RANGE: 4,900 CFM TO 8,100 CFM

