

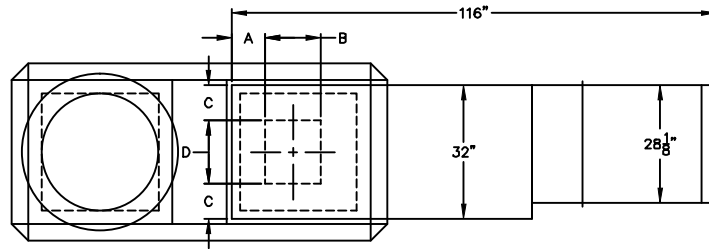
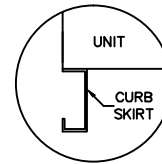
GENERAL NOTES

UNLESS OTHERWISE NOTED, ALL EXTERIOR SURFACES WILL BE 18 GA. GALVANIZED STEEL.

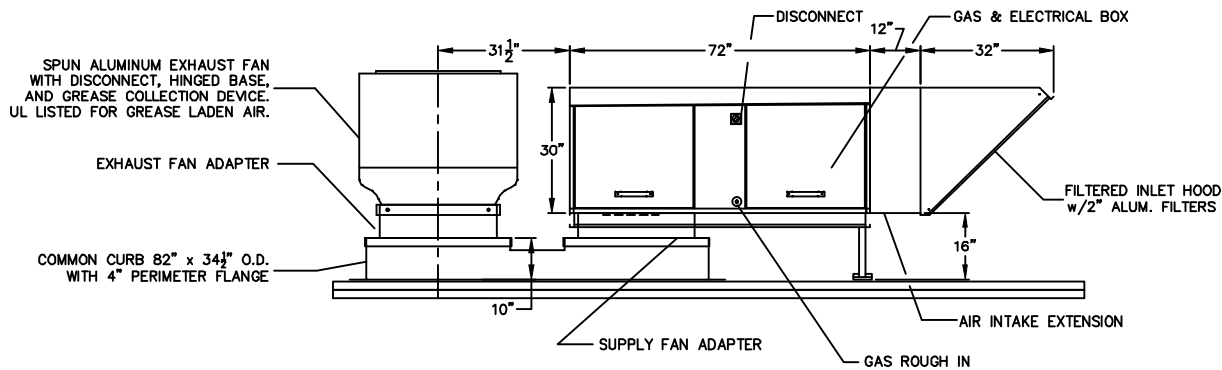
LISTED



CURB SKIRT DETAIL



PLAN VIEW



ELEVATION VIEW

CFM RANGE	FAN SIZE	A	B	C	D
1,600-2,400	G10	8	13 3/8	8 7/16	15 1/8
2,401-3,500	G12	9 1/4	15 7/16	7 3/16	17 5/8

PROJECT NAME: _____
 REF. NO./DRAWING NO.: _____
 DATE: _____

ENGINEERING SPECIFICATIONS

MODEL: V2
 C.F.M.: _____ T.S.P.: _____ E.S.P.: _____
 B.T.U. INPUT: 290,000 GAS LINE SIZE: 1/2"
 MIN. GAS PRESS.: 8" W.C. MAX. GAS PRESS.: 14" W.C.
 H.P.: _____ VOLTAGE: _____ SERVICE AMPS.: _____
 BLOWER MODEL # G10 OR G12

STANDARD FEATURES:

- DIRECT GAS FIRED UNIT, NATURAL GAS
- ETL CERTIFIED
- GALVANIZED STEEL CASING; UNPAINTED
- DOWN DISCHARGE CONFIGURATION
- MAXITROL SERIES 14
- REMOTE RESET OF FLAME SAFEGUARD
- 24V REMOTE CONTROL PANEL
- ONE EXHAUST FAN STARTER
- 1" INTERNAL INSULATION
- VIBRATION ISOLATORS
- REMOVABLE BIRDSCREEN

OPTIONAL FEATURES:

NOTES:

SUPPLY AIR FLOW RANGE: 1,600 CFM TO 3,500 CFM

