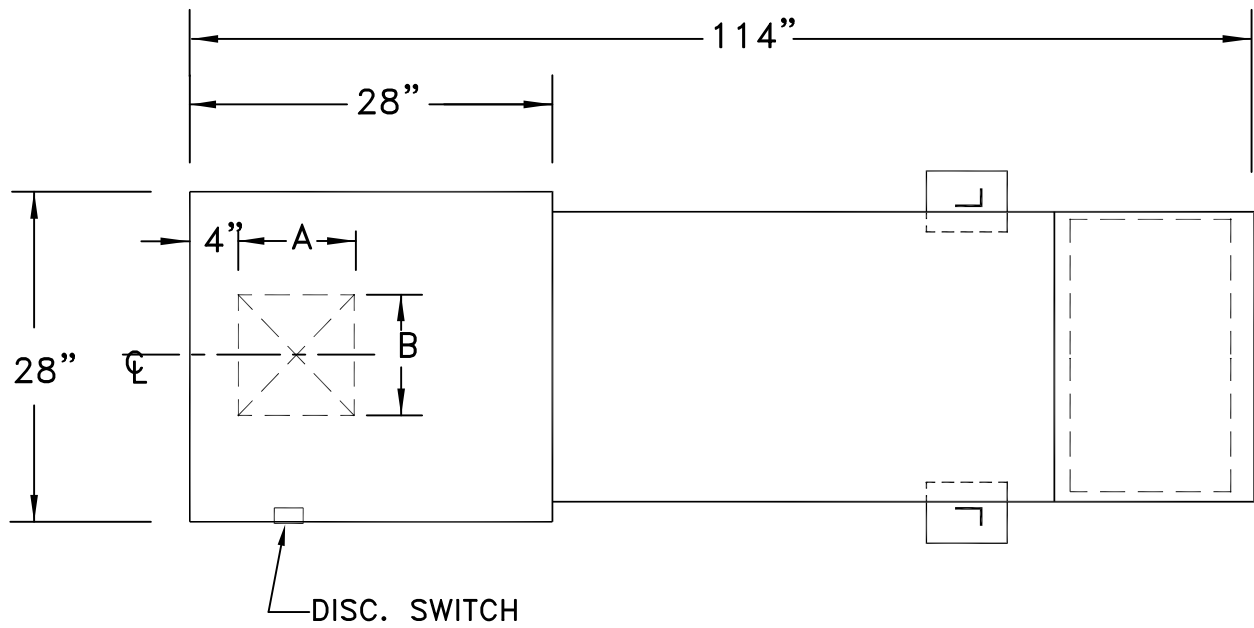


SECTION VIEW



PLAN VIEW

SAS10-T