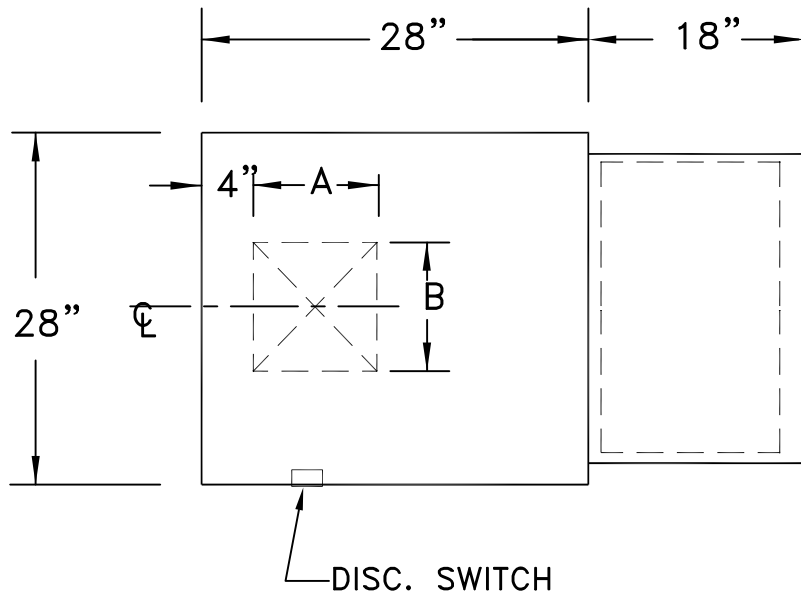


SECTION VIEW



PLAN VIEW

SAS10 ROOF MOUNT